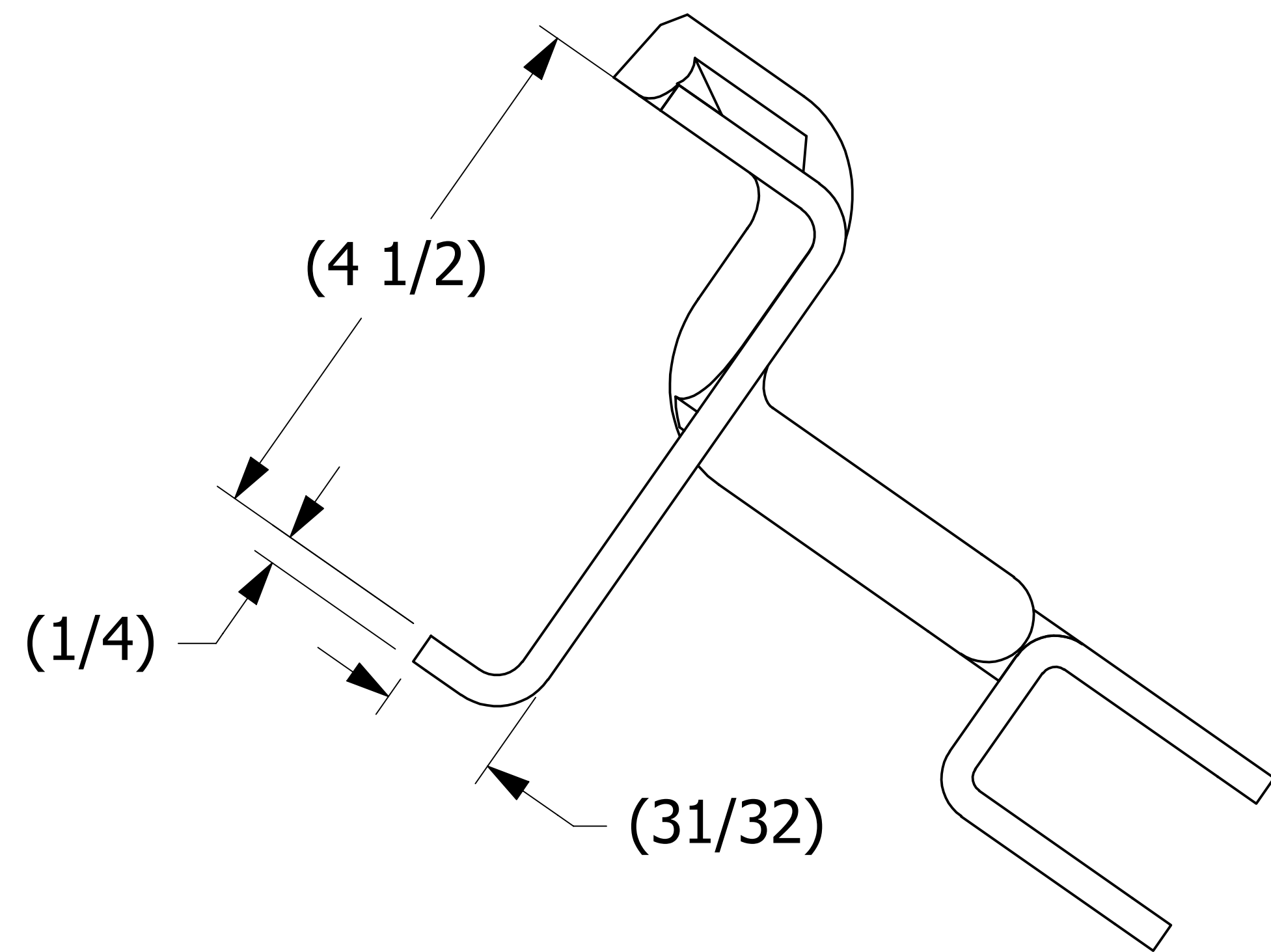
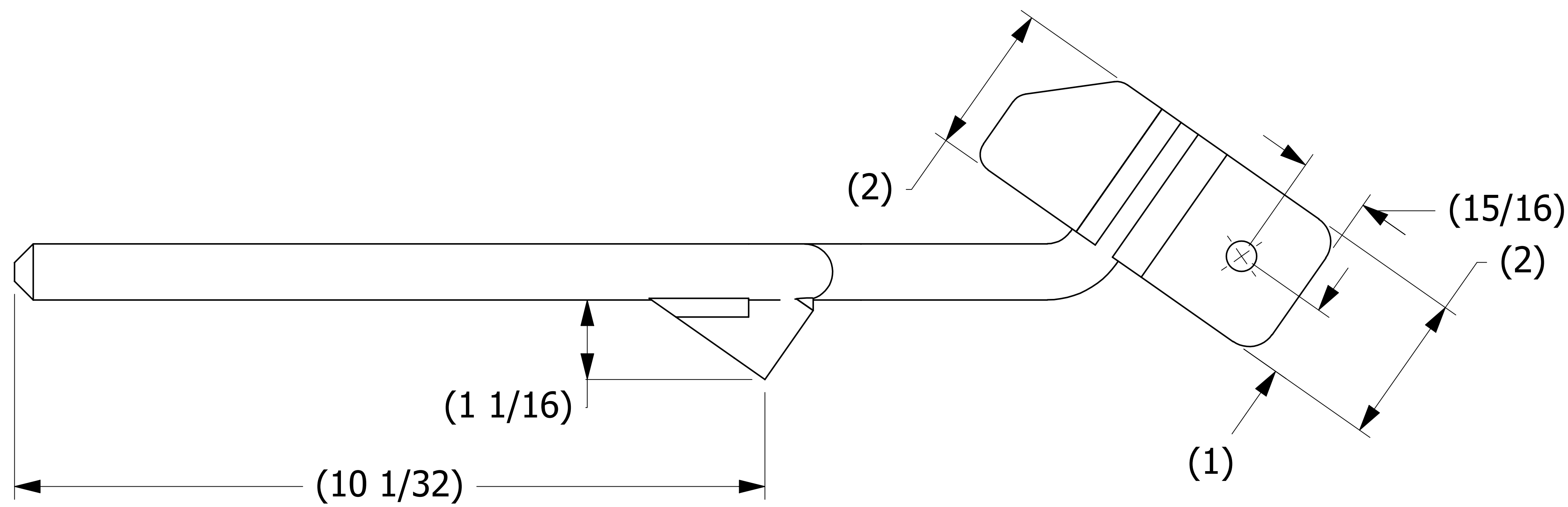
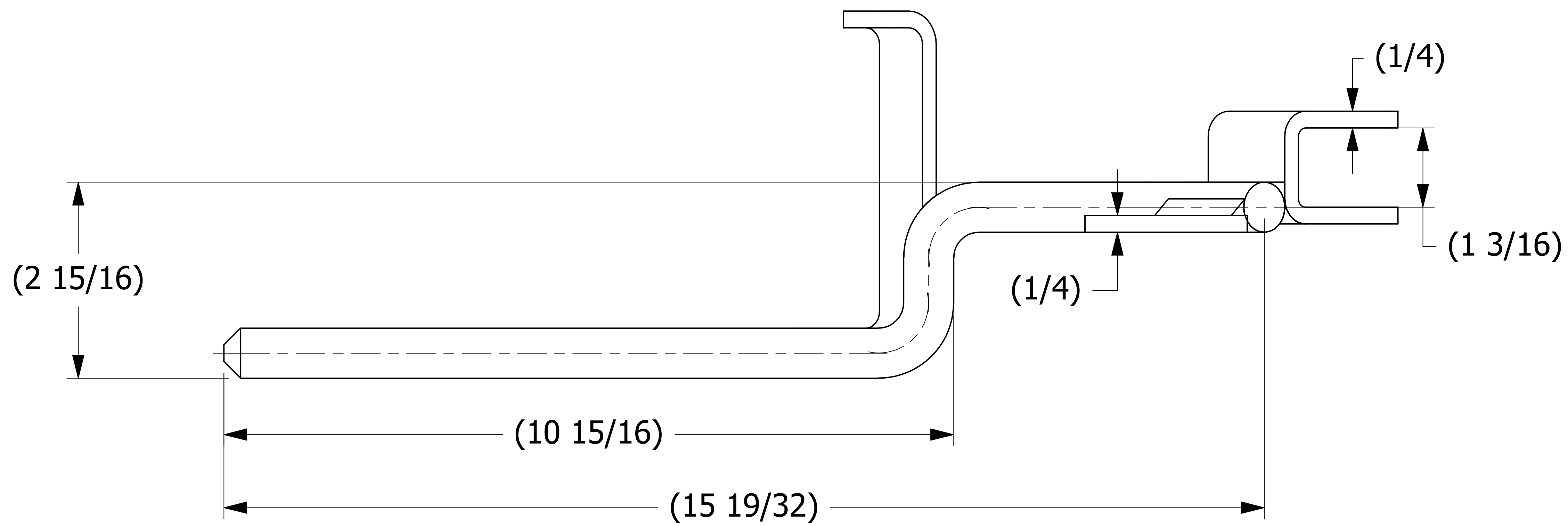


SALES DRAWING SALES DRAWING SALES

SALES DRAWING SALES DRAWING SALES



D	TAJ	1-20-12	UPDATED RODS ANGLE
C	CHL	2-9-10	ADDED BOM, WELD SYMBOLS & WELD NOTES
B	CHL	3-16-09	PART# & MATERIAL WERE YSD64135, 535 ALMAG
A	CHL	5-14-04	NEW PART ADDED TO SYSTEM
REV	BY	DATE	DESCRIPTION

UNLESS OTHERWISE SPECIFIED DIMENSIONAL TOLERANCES FRACTIONAL: $\pm 1/16$ X.XX: $\pm .03$ X.XXX: $\pm .015$ ANGULAR: $\pm 1^\circ$ DEBURR ALL SHARP EDGES. ALL MACHINED SURFACES TO HAVE A 125 RMS FINISH UNLESS NOTED OTHERWISE. THIRD ANGLE PROJECTION	DRAWN BY:	CHL
	CHECKED BY:	ACC
	PROTOTYPE BY:	CHL
	PROTOTYPE DATE:	3/24/2004
	APPROVED FOR PRODUCTION BY:	ACC
	PRODUCTION DATE:	5/14/2004

SALCO PRODUCTS, INC.		
PART NAME: GATE HANDLE		
MATERIAL: SEE BOM		
PROJECT #:	SHEET #:	SCALE:
WAG0121	1 OF 1	1:1
DRAWING #:	PART #:	
E19059	YSDZG64135	